



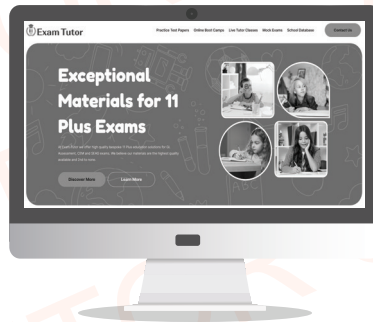
Exam Tutor

www.examtutor.co.uk | sales@examtutor.co.uk

SEAG ENTRANCE EXAM SAMPLE PAPER

2025 EDITION

Time 60 Minutes



Visit www.examtutor.co.uk for Tutor video explanations for every question in this practice paper.

Name: _____

Score= _____ /56 Percentage = _____

English – Main Test

In this exercise there are some mistakes with **punctuation** or use of **capital letters**. On each numbered line there is either one mistake or no mistake. Find the group of words with the mistake in it and **mark its letter on your answer sheet**. If there is no mistake, mark **N**.

Punctuation Exercise

1

Oscar couldn't believe his eye's as his brother's team scored
the final goal and became the winners of the trophy cup.

2

The art exhibition invitation informed the guests to arrive at
Valant Manor House at 8pm where they'd be greeted with light refreshments.

3

Lucy was hesitant to clip her dog, Alfie's nails in case, she hurt or
frightened him in the process.

4

Look how much you've grown? You're so like your big brother, it's like
I'm looking at Christopher's double!

5

During their nature walk trip through the forest, they saw; squirrels,
rabbits and robins.

In this exercise there are some **spelling** mistakes. On each numbered line there is either **one** mistake or **no** mistake. Find the group of words with the mistake in it and mark its letter on your answer sheet. If there is no mistake, mark **N**.

Spelling Exercise

11

John wanted to persue a career as a real estate agent

↑ A ↑ B ↑

so he began networking with others in that line of work.

↑ C ↑ D ↑

12

Thomas and Sadie adored exploring the hidden consealed coves for hidden

↑ A ↑ B ↑ C ↑

beach treasures on the coast.

↑ D ↑

13

It was a particularly inconvinient time for the interview, so

↑ A ↑ B ↑

she asked if it could be rearranged for another date.

↑ C ↑ D ↑

14

The summer solstice is the day when the sun travels its

↑ A ↑ B ↑

longest path through the sky and reaches its highest point.

↑ C ↑ D ↑

15

Chicken salad is Harry's absolute favourite sandwhich

↑ A ↑ B ↑

filling of all time. He would eat them for breakfast, lunch and dinner if he could.

↑ C ↑ D ↑

Read the whole passage carefully, then answer the questions that follow.

Birds and Bees, Sharp Eyes and Other Papers

By John Burroughs

1. How surely the birds know their enemies! See how the wrens and robins and bluebirds
2. pursue and scold the cat, while they take little or no notice of the dog! Even the swallow
3. will fight the cat, and, relying too confidently upon its powers of flight, sometimes
4. swoops down so near to its enemy that it is caught by a sudden stroke of the cat's paw.
5. The only case I know of in which our small birds fail to recognize their enemy is
6. furnished by the shrike; apparently the little birds do not know that this modest-colored
7. bird is an assassin. At least, I have never seen them scold or molest him, or utter any
8. outcries at his presence, as they usually do at birds of prey. Probably it is because the
9. shrike is a rare visitant, and is not found in this part of the country during the nesting
10. season of our songsters.

11. But the birds have nearly all found out the trick the jay, and when he comes sneaking
12. through the trees in May and June in quest of eggs, he is quickly exposed and roundly
13. abused. It is amusing to see the robins hustle him out of the tree which holds their nest.
14. They cry "Thief, thief!" to the top of their voices as they charge upon him, and the jay
15. retorts in a voice scarcely less complimentary as he makes off.

16. The jays have their enemies also, and need to keep an eye on their own eggs. It would be
17. interesting to know if jays ever rob jays, or crows plunder crows; or is there honor among
18. thieves even in the feathered tribes? I suspect the jay is often punished by birds which are
19. otherwise innocent of nest-robbing. One season I found a jay's nest in a small cedar on
20. the side of a wooded ridge. It held five eggs, every one of which had been punctured.
21. Apparently some bird had driven its sharp beak through their shells, with the sole
22. intention of destroying them, for no part of the contents of the eggs had been removed. It
23. looked like a case of revenge; as if some thrush or warbler, whose nest had suffered at the
24. hands of the jays, had watched its opportunity, and had in this way retaliated upon its
25. enemies. An egg for an egg. The jays were lingering near, very demure and silent, and
26. probably ready to join a crusade against nest-robbers.

Please answer these questions. (Look at the passage again if you need to.)
You should choose the **best** answer and mark its letter on your answer sheet.

16 Why is the Shrike bird referred to as an assassin (line 7)?

- A because its meat is deadly poisonous for other birds
- B because it is vicious when defending itself
- C because it often blends in unnoticed by other birds
- D because it's a bird of prey
- E because it is a predator who kills small birds

17 Which of the following is a synonym for the word 'pest'?
Select the best option.

- A nuisance (line 74)
- B visitant (line 9)
- C swarm (line 68)
- D robber (line 100)
- E ogre (line 28)

18 What is the most important and plausible reason that most nests with young birds are built in concealed places instead of 'exposed' places (lines 38 to 41)?

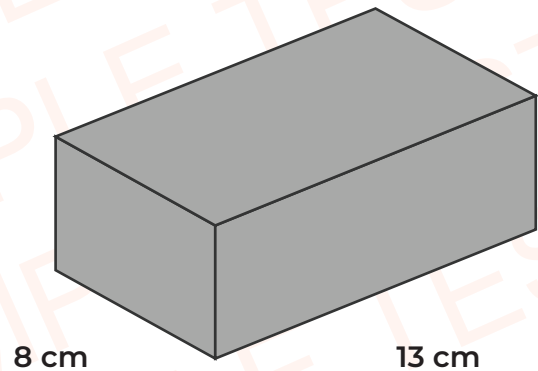
- A if the nest is not concealed it is less sturdy
- B concealed nests are more sheltered from the weather and the elements
- C so their offspring can't easily escape
- D their offspring can't fly yet and could fall out of the nest
- E their offspring is vulnerable and must stay hidden from predators

Maths – Main Test

29

A cuboid has:

- A volume of 520 cm^3
- A length of 13 cm
- A width of 8 cm



What is the height of the cuboid?

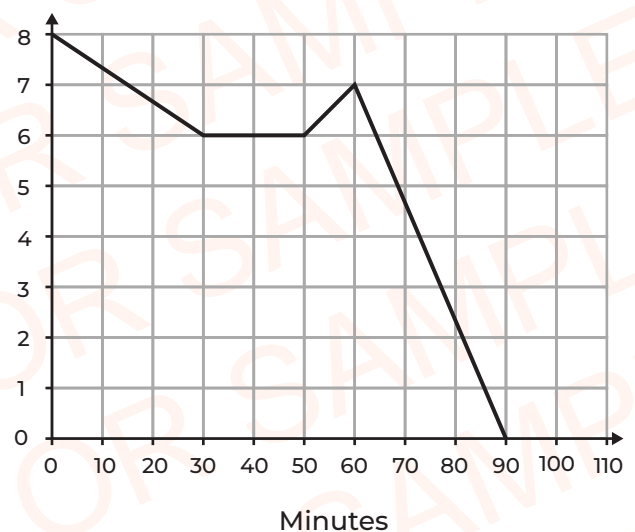
- A 4 cm B 5 cm C 6 cm D 7 cm E 8 cm

30

The line graph shows Aaron's journey on his bike. Based on his speed during the last $\frac{1}{3}$ of the 90 minute journey, **how many miles per hour did Aaron travel?**

- A 11.5 mph
B 8 mph
C 12 mph
D 7 mph
E 14 mph

Distance from home in miles

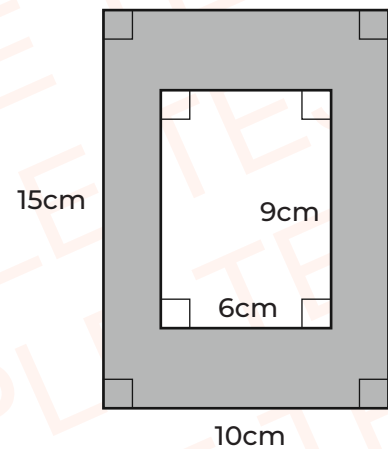


31

Megan wants to decorate a photo frame using felt. This is the shaded area on the diagram below. To know how much felt material to purchase she needs to calculate the area of this space.

Every 25 cm of felt material costs 60p. How much does Megan need to spend to cover the photo frame?

- A £1.80
- B £3
- C £2.40
- D £1.20
- E £3.60



32

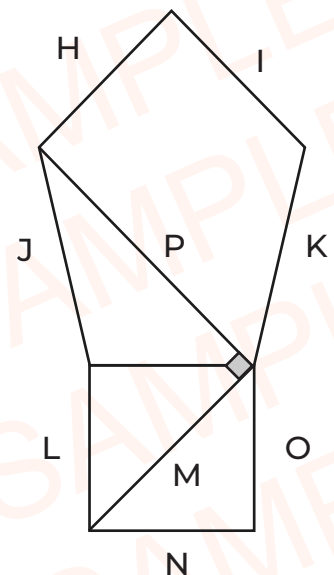
Susan earns £360 a week. She spends $\frac{1}{3}$ of her earnings on rent, $\frac{1}{5}$ on groceries, $\frac{1}{4}$ on bills and electric. **How much money does she have left?**

- A £72
- B £282
- C £78
- D £120
- E £92

33

Which of these statements is false?

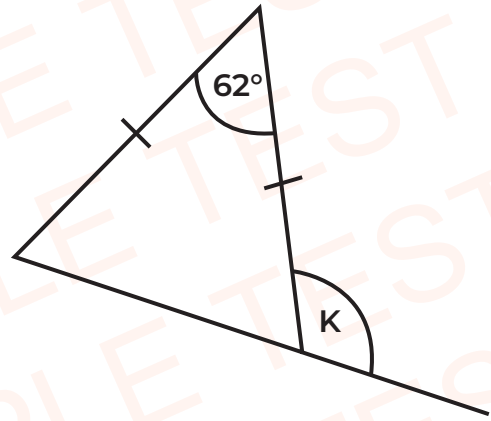
- A Lines I and P are parallel.
- B Lines M and P are perpendicular.
- C Lines L and O are parallel.
- D Lines O and N are perpendicular.
- E Lines J and K are parallel.



38

What is angle k ?

- A 118°
- B 112°
- C 121°
- D 59°
- E 62°



39

Five food storage areas' temperatures are checked regularly. They have temperatures of 3°C , -1°C , 0°C , -5°C and 2°C . Which option shows these temperatures in the correct order, starting with the coldest first.

- A -5°C , 3°C , 2°C , -1°C , 0°C
- B -5°C , -1°C , 0°C , 2°C , 3°C
- C -1°C , 2°C , 0°C , 3°C , -5°C
- D 3°C , 2°C , 0°C , -1°C , -5°C
- E 0°C , -1°C , 2°C , 3°C , -5°C

40

There are 160 students in Year 9 at a school. Each student studies a language. They pick from Spanish, French, German or Irish.

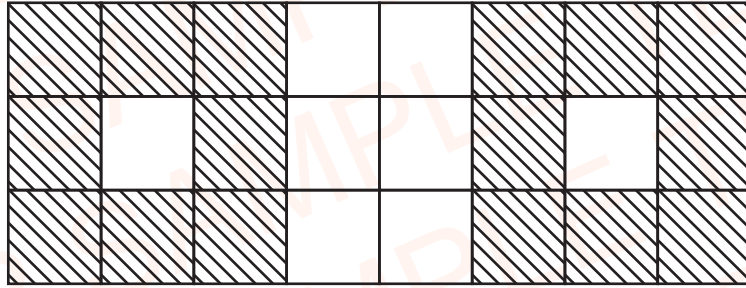
- 28 out of the 45 students studying Irish are boys
- 17 males and 19 girls study French
- 23 of 40 students studying Spanish are girls
- Twice as many boys study German as girls

How many males study German?

- A 15
- B 26
- C 28
- D 39
- E 13

47

What fraction of the shape is shaded?



A $20/30$

B $4/6$

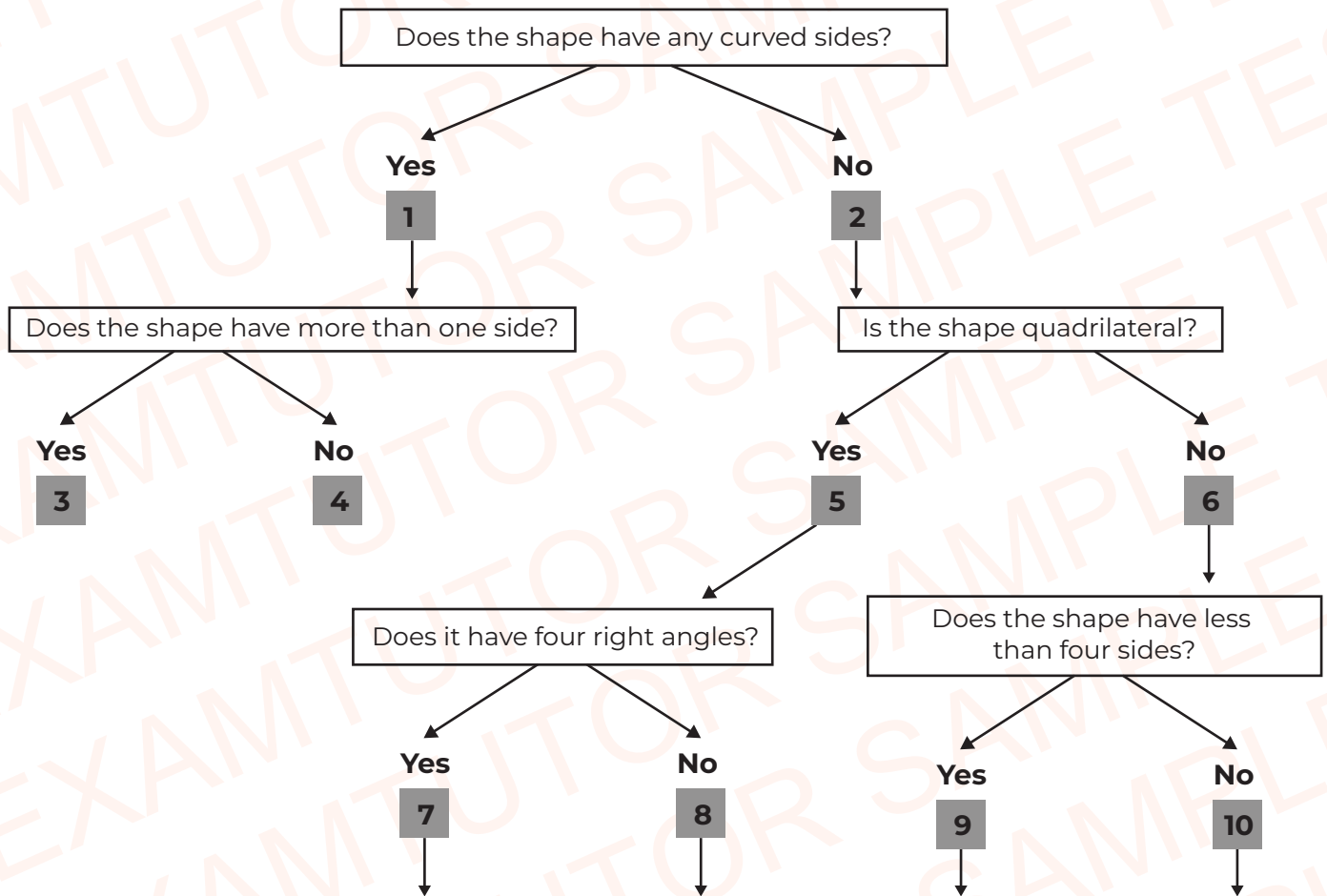
C $2/8$

D $6/9$

E $10/15$

48

The decision tree is used to classify shapes.



What number would a semicircle be placed at?

A 9

B 4

C 8

D 3

E 7

Answer Sheet

Please Mark boxes with a thin horizontal line like this 

English Test

1	A <input type="checkbox"/>
	B <input type="checkbox"/>
	C <input type="checkbox"/>
	D <input type="checkbox"/>
	N <input type="checkbox"/>

2	A <input type="checkbox"/>
	B <input type="checkbox"/>
	C <input type="checkbox"/>
	D <input type="checkbox"/>
	N <input type="checkbox"/>

3	A <input type="checkbox"/>
	B <input type="checkbox"/>
	C <input type="checkbox"/>
	D <input type="checkbox"/>
	N <input type="checkbox"/>

4	A <input type="checkbox"/>
	B <input type="checkbox"/>
	C <input type="checkbox"/>
	D <input type="checkbox"/>
	N <input type="checkbox"/>

5	A <input type="checkbox"/>
	B <input type="checkbox"/>
	C <input type="checkbox"/>
	D <input type="checkbox"/>
	N <input type="checkbox"/>

6	A <input type="checkbox"/>
	B <input type="checkbox"/>
	C <input type="checkbox"/>
	D <input type="checkbox"/>
	E <input type="checkbox"/>

7	A <input type="checkbox"/>
	B <input type="checkbox"/>
	C <input type="checkbox"/>
	D <input type="checkbox"/>
	E <input type="checkbox"/>

8	A <input type="checkbox"/>
	B <input type="checkbox"/>
	C <input type="checkbox"/>
	D <input type="checkbox"/>
	E <input type="checkbox"/>

9	A <input type="checkbox"/>
	B <input type="checkbox"/>
	C <input type="checkbox"/>
	D <input type="checkbox"/>
	E <input type="checkbox"/>

10	A <input type="checkbox"/>
	B <input type="checkbox"/>
	C <input type="checkbox"/>
	D <input type="checkbox"/>
	E <input type="checkbox"/>

11	A <input type="checkbox"/>
	B <input type="checkbox"/>
	C <input type="checkbox"/>
	D <input type="checkbox"/>
	N <input type="checkbox"/>

12	A <input type="checkbox"/>
	B <input type="checkbox"/>
	C <input type="checkbox"/>
	D <input type="checkbox"/>
	N <input type="checkbox"/>

13	A <input type="checkbox"/>
	B <input type="checkbox"/>
	C <input type="checkbox"/>
	D <input type="checkbox"/>
	N <input type="checkbox"/>

14	A <input type="checkbox"/>
	B <input type="checkbox"/>
	C <input type="checkbox"/>
	D <input type="checkbox"/>
	N <input type="checkbox"/>

15	A <input type="checkbox"/>
	B <input type="checkbox"/>
	C <input type="checkbox"/>
	D <input type="checkbox"/>
	N <input type="checkbox"/>

English Comprehension

16	A <input type="checkbox"/>
	B <input type="checkbox"/>
	C <input type="checkbox"/>
	D <input type="checkbox"/>
	E <input type="checkbox"/>

17	A <input type="checkbox"/>
	B <input type="checkbox"/>
	C <input type="checkbox"/>
	D <input type="checkbox"/>
	E <input type="checkbox"/>

18	A <input type="checkbox"/>
	B <input type="checkbox"/>
	C <input type="checkbox"/>
	D <input type="checkbox"/>
	E <input type="checkbox"/>

19	A <input type="checkbox"/>
	B <input type="checkbox"/>
	C <input type="checkbox"/>
	D <input type="checkbox"/>
	E <input type="checkbox"/>

20	A <input type="checkbox"/>
	B <input type="checkbox"/>
	C <input type="checkbox"/>
	D <input type="checkbox"/>
	E <input type="checkbox"/>

21	A <input type="checkbox"/>
	B <input type="checkbox"/>
	C <input type="checkbox"/>
	D <input type="checkbox"/>
	E <input type="checkbox"/>

22	A <input type="checkbox"/>
	B <input type="checkbox"/>
	C <input type="checkbox"/>
	D <input type="checkbox"/>
	E <input type="checkbox"/>

23

24

25

26

27

28

Please Turn Over

Answer Sheet

Please Mark boxes with a thin horizontal line like this

Math Test

29 A 4 cm <input type="checkbox"/> B 5 cm <input type="checkbox"/> C 6 cm <input type="checkbox"/> D 7 cm <input type="checkbox"/> E 8 cm <input type="checkbox"/>	30 A 11.5 mph <input type="checkbox"/> B 8 mph <input type="checkbox"/> C 12 mph <input type="checkbox"/> D 7 mph <input type="checkbox"/> E 14 mph <input type="checkbox"/>	31 A £1.80 <input type="checkbox"/> B £3 <input type="checkbox"/> C £2.40 <input type="checkbox"/> D £1.20 <input type="checkbox"/> E £3.60 <input type="checkbox"/>	32 A £72 <input type="checkbox"/> B £282 <input type="checkbox"/> C £78 <input type="checkbox"/> D £120 <input type="checkbox"/> E £92 <input type="checkbox"/>	33 A Lines I and P are parallel. <input type="checkbox"/> B Lines M and P are perpendicular. <input type="checkbox"/> C Lines L and O are parallel. <input type="checkbox"/> D Lines O and N are perpendicular. <input type="checkbox"/> E Lines J and K are parallel. <input type="checkbox"/>
--	--	--	---	---

34 A 42% <input type="checkbox"/> B 30% <input type="checkbox"/> C 33.3% <input type="checkbox"/> D 38% <input type="checkbox"/> E 45% <input type="checkbox"/>	35 A 18 <input type="checkbox"/> B 19 <input type="checkbox"/> C 20 <input type="checkbox"/> D 21 <input type="checkbox"/> E 22 <input type="checkbox"/>	36 A 5th <input type="checkbox"/> B 6th <input type="checkbox"/> C 7th <input type="checkbox"/> D 8th <input type="checkbox"/> E 9th <input type="checkbox"/>	37 A 16 cm <input type="checkbox"/> B 20 cm <input type="checkbox"/> C 28 cm <input type="checkbox"/> D 26 cm <input type="checkbox"/> E 30 cm <input type="checkbox"/>	38 A 118° <input type="checkbox"/> B 112° <input type="checkbox"/> C 121° <input type="checkbox"/> D 59° <input type="checkbox"/> E 62° <input type="checkbox"/>	39 A -5°C, 3°C, 2°C, -1°C, 0°C <input type="checkbox"/> B -5°C, -1°C, 0°C, 2°C, 3°C <input type="checkbox"/> C -1°C, 2°C, 0°C, 3°C, -5°C <input type="checkbox"/> D 3°C, 2°C, 0°C, -1°C, -5°C <input type="checkbox"/> E 0°C, -1°C, 2°C, 3°C, -5°C <input type="checkbox"/>
---	--	---	---	--	---

40 A 15 <input type="checkbox"/> B 26 <input type="checkbox"/> C 28 <input type="checkbox"/> D 39 <input type="checkbox"/> E 13 <input type="checkbox"/>	41 A 21 <input type="checkbox"/> B 42 <input type="checkbox"/> C 70 <input type="checkbox"/> D 63 <input type="checkbox"/> E 81 <input type="checkbox"/>	42 A 1 kg <input type="checkbox"/> B 50 g <input type="checkbox"/> C 150 g <input type="checkbox"/> D 850 g <input type="checkbox"/> E 1150 g <input type="checkbox"/>	43 A 121 cm ² <input type="checkbox"/> B 24 m ² <input type="checkbox"/> C 16.5 cm ² <input type="checkbox"/> D 101 cm ² <input type="checkbox"/> E 7.5 m ² <input type="checkbox"/>	44 A 24 ml <input type="checkbox"/> B 56 ml <input type="checkbox"/> C 80 ml <input type="checkbox"/> D 32 ml <input type="checkbox"/> E 64 ml <input type="checkbox"/>	45 A <input type="checkbox"/> B <input type="checkbox"/> C <input type="checkbox"/> D <input type="checkbox"/> E <input type="checkbox"/>	46 A <input type="checkbox"/> B <input type="checkbox"/> C <input type="checkbox"/> D <input type="checkbox"/> E <input type="checkbox"/>
--	--	--	---	---	---	---

47 A 20/30 <input type="checkbox"/> B 4/6 <input type="checkbox"/> C 2/8 <input type="checkbox"/> D 6/9 <input type="checkbox"/> E 10/15 <input type="checkbox"/>	48 A 9 <input type="checkbox"/> B 4 <input type="checkbox"/> C 8 <input type="checkbox"/> D 3 <input type="checkbox"/> E 7 <input type="checkbox"/>	49 A <input type="checkbox"/> B <input type="checkbox"/> C <input type="checkbox"/> D <input type="checkbox"/> E <input type="checkbox"/>	50 A 15% <input type="checkbox"/> B 25% <input type="checkbox"/> C 20% <input type="checkbox"/> D 35% <input type="checkbox"/> E 30% <input type="checkbox"/>
---	---	---	---

51

52

53

54

55

56

End of Test